

**GRAMMER**

# BLACK EDITION

**THE B12 FOR FORKLIFT TRUCKS AND  
SMALL CONSTRUCTION MACHINES**



- For vehicles with extremely limited space for installation
- Very low-frequency suspension with weight adjustment
- Good suspension comfort for relaxed, fatigue-free work
- Suspension system integrated in backrest to save space



We'll be happy to advise you:

# GRAMMER BLACK EDITION



The B12 can be adjusted to the driver's weight by setting it to any of three different ranges. This lets the maximum suspension travel of 40 mm and the fore-aft adjustment range of 150 mm be optimally taken advantage of.

The backrest angle can be steplessly adjusted by up to 15° for outstanding comfort. And an optional lap belt for absolute security in all situations. In short: the B12 delivers comfort, convenience and safety in a minimum of space.

## 1 Weight Adjustment

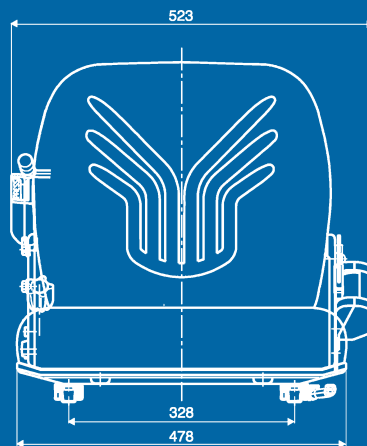
An easy-to-reach lever permits simple setting to 3 different weight ranges. This noticeably reduces unpleasant and potentially injurious jolts and vibrations for every driver – also on uneven terrain.

## 2 Adjustable Backrest Angle

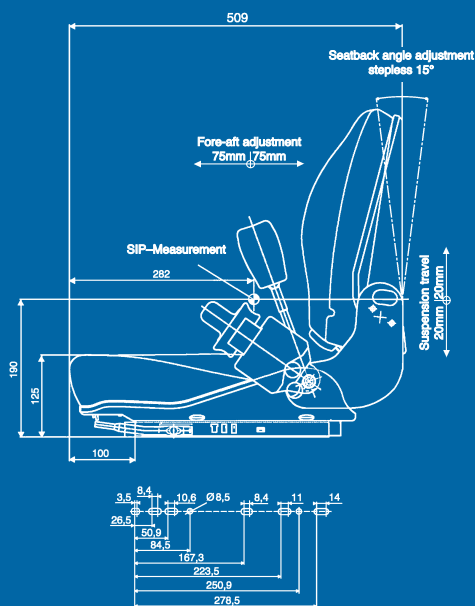
An easy-to-turn knob lets the backrest angle be set to any position within a 15° range. This ensures very comfortable sitting by operators of all sizes in all work situations.

## 3 Fore-Aft Adjustment

The seat is simple to adjust to any situation using a lever. A range of 150 mm lets it be set so the vehicle's controls are within easy reach.



Front view



Side view

All measurements in mm. Subject to technical modifications and dimensional changes.

FEATURES	B12	B12
<b>Article no.</b>	1127770	1127771
<b>Cover material</b>		
Imitation leather	●	●
<b>Suspension</b>		
Mechanical (semisuspension)	●	●
<b>Suspension travel</b>		
40 mm	●	●
<b>Weight adjustment</b>		
50 - 120 kg	●	●
<b>Fore-aft adjustment 150 mm</b>	●	●
<b>Backrest angle adjustment</b> (steplessly through 15°)	●	●
<b>Restraint system</b>		
Seatbelt with retractor	○	○
Seat contact switch		●

complies with DIN EN 13490 IT 1  
Meets the strength of FEM 4.002  
in conjunction with seatbelt system

● Standard ○ Optional