



# PRIMO<sup>®</sup> M

Standard Seat with  
mechanical Suspension



**CAPITAL**seating

[www.capitalseating.co.uk](http://www.capitalseating.co.uk)

tel: +44 (0)116 216 9910 | email: [grammer@capitalseating.co.uk](mailto:grammer@capitalseating.co.uk)



**GRAMMER**

# TECHNICAL DATA

## PRIMO® M

This seat's mechanical suspension with reduced suspension travel of 60 mm effectively buffers vibrations in even the smallest cabs. The upper seat section is designed to deliver comfort from the word go. The focus is on the most important adjustments, including a mechanical lumbar support and mechanical weight setting feature.



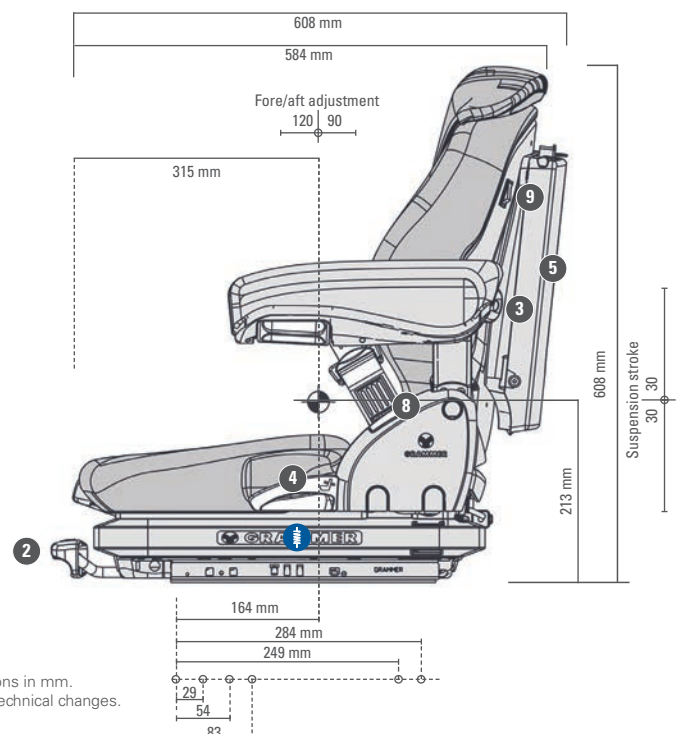
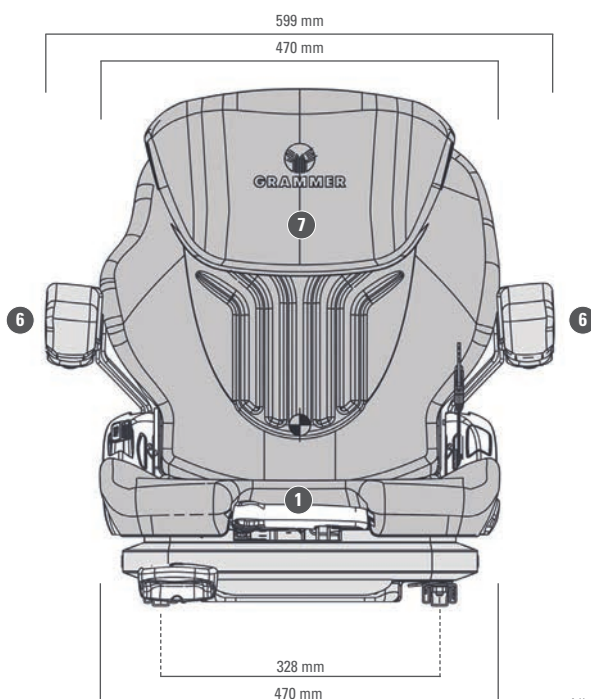
### Features ● Standard ○ Optional

	PRIMO® M
Article no. fabric	1293486
Article no. imitation leather	1091028
Shock absorber nonadjustable	●
<b>4</b> Suspension	
Mechanical suspension	●
Suspension stroke 60 mm	●
<b>1</b> Weight adjustment 45 - 170 kg	
Manual (mechanical)	●
<b>2</b> Fore/aft adjustment 210 mm	●
<b>3</b> Lumbar support	
Mechanical	●

	PRIMO® M
<b>4</b> Adjustable backrest angle	●
Seat cushion width	470 mm
<b>OPTIONAL FEATURES</b>	
<b>5</b> Document box	○
<b>6</b> Armrests height-adjustable	○
Fore/aft isolator*	○
<b>7</b> Backrest extension	○
<b>8</b> Restraint system	○
<b>9</b> Seat heating	○
Operator presence switch (OPS)	○

\* Fore/aft isolator not for earth-moving machinery

### Measurements (installation dimensions)



All dimensions in mm.  
Subject to technical changes.