



Doosan Infracore
Forklifts



Electric Reach Truck

BR13S-7 / BR15S-7 / BR18S-7

BR20S-7 / BR25S-7

1,250kg to 2,500kg Capacity-Standing type



Mast Specifications and Rated Capacities

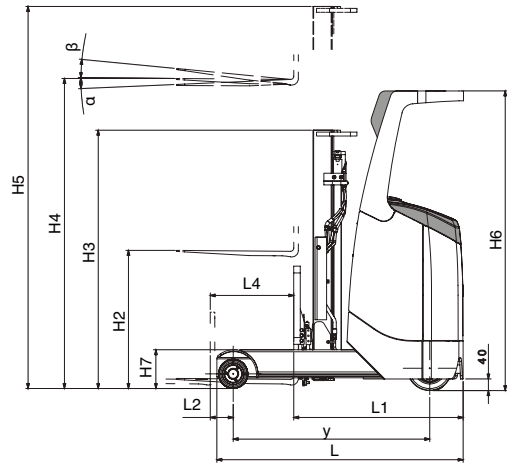
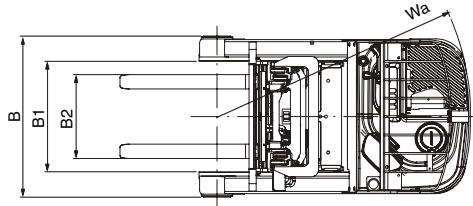
BR13S-7, BR15S-7, BR18S-7

Mast type	Maximum Fork Height	Maximum Lowered Height	Fully Extended Height	Free Lift	Rated Load Capacities							
					With Load Backrest	With Load Backrest	Tilt Angle		BR13S-7		BR15S-7	
			deg	deg			Load Capacities		Load Capacities		Load Capacities	
							Narrow Tire	Narrow Tire	Narrow Tire	Narrow Tire	Narrow Tire	Narrow Tire
mm	mm	mm	mm	Fwd	Bwd	LC 500mm	LC 600mm	LC 500mm	LC 600mm	LC 500mm	LC 600mm	
STD	3000	1985	3940	320	3	5	1250	1095	1500	1310	1800	1575
	3300	2135	4240	320	3	5	1250	1095	1500	1310	1800	1575
	3500	2235	4440	320	3	5	1200	1050	1450	1265	1750	1530
	3700	2335	4640	320	3	5	1200	1050	1400	1225	1650	1445
	4000	2535	4940	320	3	5	1150	1005	1350	1180	1500	1315
	4500	2785	5440	320	3	5	900	790	1150	1005	1250	1095
	5000	3060	5940	320	3	5	800	700	1000	875	1100	965
FFT	6000	3585	6940	320	3	5	700	615	800	700	900	790
	4500	2030	5440	1125	3	5	900	790	1150	1005	1250	1095
	5000	2230	5940	1325	3	5	800	700	1000	875	1100	965
	5500	2465	6445	1560	3	5	750	660	900	790	1000	875
	6000	2630	6940	1725	3	5	700	615	800	700	900	790
	6500	2795	7440	1890	3	5	650	570	750	655	850	745
	7000	3065	8040	2160	3	5	600	525	700	615	800	700
	7500	3230	8440	2325	3	5	550	485	650	570	750	660
8000	3500	9040	2590	3	5	500	440	570	500	570	500	

BR20S-7, BR25S-7

Mast type	Maximum Fork Height	Maximum Lowered Height	Fully Extended Height	Free Lift	Rated Load Capacities							
					With Load Backrest	With Load Backrest	Tilt Angle		BR20S-7		BR25S-7	
			deg	deg			Load Capacities		Load Capacities			
							Narrow Tire	Narrow Tire	Narrow Tire	Narrow Tire		
mm	mm	mm	mm	Fwd	Bwd	LC 500mm	LC 600mm	LC 500mm	LC 600mm			
STD	2950	1970	3995	325	3	5	2000	1745	2500	2185		
	3230	2110	4275	325	3	5	2000	1745	2500	2185		
	3500	2360	4550	325	3	5	2000	1745	2500	2185		
	3800	2510	4850	325	3	5	2000	1745	2500	2185		
	3950	2585	5000	325	3	5	2000	1745	2500	2185		
	4350	2785	5400	325	3	5	2000	1745	2400	2095		
	4960	3085	6000	325	3	5	1850	1615	2200	1920		
FFT	3900	1835	4950	825	3	5	2000	1745	2500	2185		
	4290	1970	5355	960	3	5	2000	1745	2400	2095		
	4730	2110	5775	1100	3	5	1900	1660	2300	2010		
	5560	2460	6600	1450	3	5	1730	1510	2050	1790		
	6010	2610	7050	1600	3	5	1600	1400	1950	1705		
	6500	2850	7545	1840	3	5	1300	1135	1500	1310		

PSC1006BS(June 2010)



Main Vehicle Specification

CHARACTERISTICS								
1	Manufacturer			DOOSAN	DOOSAN	DOOSAN	DOOSAN	DOOSAN
2	Model			BR13S-7	BR15S-7	BR18S-7	BR20S-7	BR25S-7
3	Load Capacity	at rated load center	kg	1250	1500	1800	2000	2500
4	Load center	distance	mm	500	500	500	500	500
6	Operator type	stand-on, rider seated		S	S	S	S	S
7	Tire type	P=Pneumatic,E=Solid,C=Cushion		C	C	C	C	C
8	Wheels(x=Driven)	number of front/rear		2/3(1)	2/3(1)	2/3(1)	2/3(1)	2/3(1)
DIMENSIONS								
9	Lift with std.	maximum fork height with rated load	H4	mm	3000	3000	3000	3000
10	two-stage mast	free lift	H2	mm	320	320	320	325
12	Fork	thickness X width X length		mm	35x100x900	35x100x900	35x100x900	45x100x1000
13		fork spread(maximumXminimum)	B2	mm	701/245	701/245	701/245	811 / 227
14	Tilt of mast	foreward/backward	α/β	deg	3 / 5	3 / 5	3 / 5	3 / 5
15		length without forks	L	mm	1640	1740	1890	1915
		Distance to Fork face, STD	L1	mm	1175	1202	1210	1275
16	Overall dimensions	width/(Load Wheel)	B	mm	1070 / (1120)	1070 / (1120)	1070 / (1120)	1260 / (1260)
		width(Reach leg-Inside)	B1	mm	770	770	770	920
		mast lowered height	H3	mm	1985	1985	1985	1995
		mast extended height	H5	mm	3940	3940	3940	4045
18		overhead guard height	H6	mm	2285	2285	2285	2295
		reach leg height	H7	mm	304	304	304	304
20	Reach travel(STD)		L4	mm	530	600	750	825
21	Outside turning radius		Wa	mm	1525	1620	1770	1800
22	Load moment constant		L2	mm	190	185	195	192
23	Aisle width with pallets 1000X1200(Long)			mm	2720	2751	2786	2854
23 a	Aisle width with pallets 800X1200(Wide)			mm	2481	2533	2618	2788
PERFORMANCE								
24	Speeds	travel,loaded/unloaded	48V	km/h	12.0 / 12.0	12.0 / 12.0	12.0 / 12.0	12.0 / 12.0
		lift,loaded/unloaded	48V	mm/s	430 / 500	400 / 500	340 / 500	290 / 410
		lowering,loaded/unloaded		mm/s	500 / 500	500 / 500	500 / 500	500 / 440
30	Max. gradeability	loaded		%	19	19	19	11
31	Steering		Type		EPS	EPS	EPS	EPS
WEIGHT								
32	Total weight (with minimum weight of battery)		kg		2265	2365	2385	3040
CHASSIS								
35	Tires	load	dia. x width	mm	ϕ 255x120	ϕ 255x120	ϕ 255x120	ϕ 267x114
		drive	dia. x width	mm	ϕ 343x140	ϕ 343x140	ϕ 343x140	ϕ 343x140
		caster	dia. x width	mm	ϕ 165x60	ϕ 165x60	ϕ 165x60	ϕ 203x76
38	Wheelbase		y	mm	1257	1357	1507	1700
39	Tread width	front/rear		mm	998 / 600	998 / 600	998 / 600	1150 / 670
40	Ground clearance	loaded at the lowest point		mm	80	80	80	80
42	Service brake		Typy		MECH.SHOE	MECH.SHOE	MECH.SHOE	MECH.DISC
POWER TRAIN								
44	Motor	Drive (S2-60')	DC	Kw	6.5	6.5	6.5	6.5
		Hydraulic (S3-15%)	AC	Kw	15	15	15	15
		Steering (S1)	AC	Kw	0.3	0.3	0.3	0.3
47	Battery	Volt/Capacity	V/AH		48V / 230	48V / 300	48V / 300	48V / 365
		Mini. Weight	kg		450	540	540	615
49	Control Type	Drive/Hydraulic	Type		MOSFET	MOSFET	MOSFET	MOSFET
50	Relief Pressure	system		kg/m ²	161	178	203	203
53	Noise level	Leq		dB(A)	69	69	69	68

*The specification is based on standard battery and without sideshifter.