



Doosan Infracore  
Forklifts

# TECHNICAL SPECIFICATIONS

## Pneumatic Forklift Trucks

D50S / D60S / D70S-5

G50S / G60S / G70S-5

5,000kg to 7,000kg Capacity

**PRO5**  
SERIES



# 5,000/6,000/7,000kg Capacities

## Engine Powered Forklift Trucks

### Pneumatic Tire

#### MAIN VEHICLE SPECIFICATIONS

CHARACTERISTICS	1	Manufacture			DOOSAN	DOOSAN	DOOSAN
	2	Model			D50S-5	D60S-5	D70S-5
	3	Load Capacity	at rated load center	kg	5,000	6,000	7,000
	4	Load Center		mm	600	600	600
	5	Power type	Elec, Diesel, LPG, Gasoline		Diesel	Diesel	Diesel
	6	Operator type			Driver-seated	Driver-seated	Driver-seated
	7	Tire type	P:Pnu, E:Solid Soft, C: Cush		p	p	p
	8	Wheels (x=Driven)	Front / Rear		x 4 / 2	x 4 / 2	x 4 / 2
DIMENSIONS	9	Max. Fork Height	with STD 2-stage mast	mm	3,000	3,000	3,000
	10	Free Lift		mm	205	205	205
	12	Fork Carriage	ISO Class		IV	IV	IV
	13	Forks	Length x Width x Thickness	mm	1,200x150x60	1,200x180x60	1,200x180x60
			Fork Spacing(Min x Max)	mm	350x2,032	410x2,032	410x2,032
	14	Tilt of Mast	Forward / Backward	deg	15 / 10	15 / 10	15 / 10
	15	Overall Dimensions	Length to Fork Face	mm	3,507	3,568	3,647
			Overall Width	mm	2,108	2,108	2,108
			Mast Lowered Height	mm	2,500	2,500	2,500
			Mast Extended Height	mm	4,340	4,340	4,340
			Overhead Guard Height	mm	2,455	2,455	2,455
	18	Seat Height		mm	1,333	1,333	1,333
	19			mm	1,333	1,333	1,333
21	Turning Radius	Minimum outside	mm	3,301	3,331	3,380	
22	Load Moment Center		mm	632	632	632	
23	Aisle 90 degree stacking(add load length & clearance)		mm	3,924	3,958	4,000	
PERFORMANCE	24	Travel Speed	Loaded / Unloaded	km/h	29.6 / 32.4	29.1 / 32.2	28.5 / 32.0
	25	Lifting Speed	Loaded / Unloaded	mm/s	500 / 530	490 / 530	445 / 470
	26	Lowering Speed	Loaded / Unloaded	mm/s	501 / 450	501 / 450	499 / 450
	28	Max. drawbar pull	Loaded at 1.0 mph (1.6km / h)	kg	5,990	5,945	5,915
	30	Max. gradeability	Loaded at 1.0 mph (1.7km / h)	%	49.2	42.4	37.2
WEIGHT	32	Total Service Weight, Unloaded		kg	8,570	9,240	9,970
	33	Axle Load	Loaded, Front / Rear	kg	12,175 / 1,395	13,585 / 1,655	14,980 / 1,990
			Unloaded, Front / Rear	kg	4,435 / 4,135	4,300 / 4,940	4,150 / 5,820
	34						
CHASSIS	35		Number of wheels(F / R)		4 / 2	4 / 2	4 / 2
	36	Tires	Size, Front		8.25x15-14PR	8.25x15-14PR	8.25x15-14PR
			Size, Rear		8.25x15-14PR	8.25x15-14PR	8.25x15-14PR
	37						
	38	Wheel Base	Distance	mm	2,250	2,250	2,250
	39	Tread Width	Front / Rear	mm	1,584 / 1,550	1,584 / 1,550	1,584 / 1,550
	40	Ground Clearance	Loaded at the lowest point	mm	176	176	176
Loaded at center of wheelbase			mm	205	205	205	
41							
42	Brakes	Service		Foot / Hyd	Foot / Hyd	Foot / Hyd	
		Parking		Hand / Mech	Hand / Mech	Hand / Mech	
43							
POWER TRAIN	45	Battery	Voltage / Ampere	V/AH	24 / 75	24 / 75	24 / 75
	49	Engine	Model		DB58S	DB58S	DB58S
			Rated Power(DIN)	HP/rpm	99 / 2,200	99 / 2,200	99 / 2,200
				kW/rpm	74 / 2,200	74 / 2,200	74 / 2,200
			Maximum Torque	kgm/rpm	37 / 1,600	37 / 1,600	37 / 1,600
	Cylinders / Displacements	CC	6 / 5,785	6 / 5,785	6 / 5,785		
	55	Transmission	Type		Autoshift	Autoshift	Autoshift
Number of Speed (Fwd / Rev)				3 / 3	3 / 3	3 / 3	
57	Hydraulic Pressure	System	bar	210	210	210	
		Attachment	bar	140	140	140	

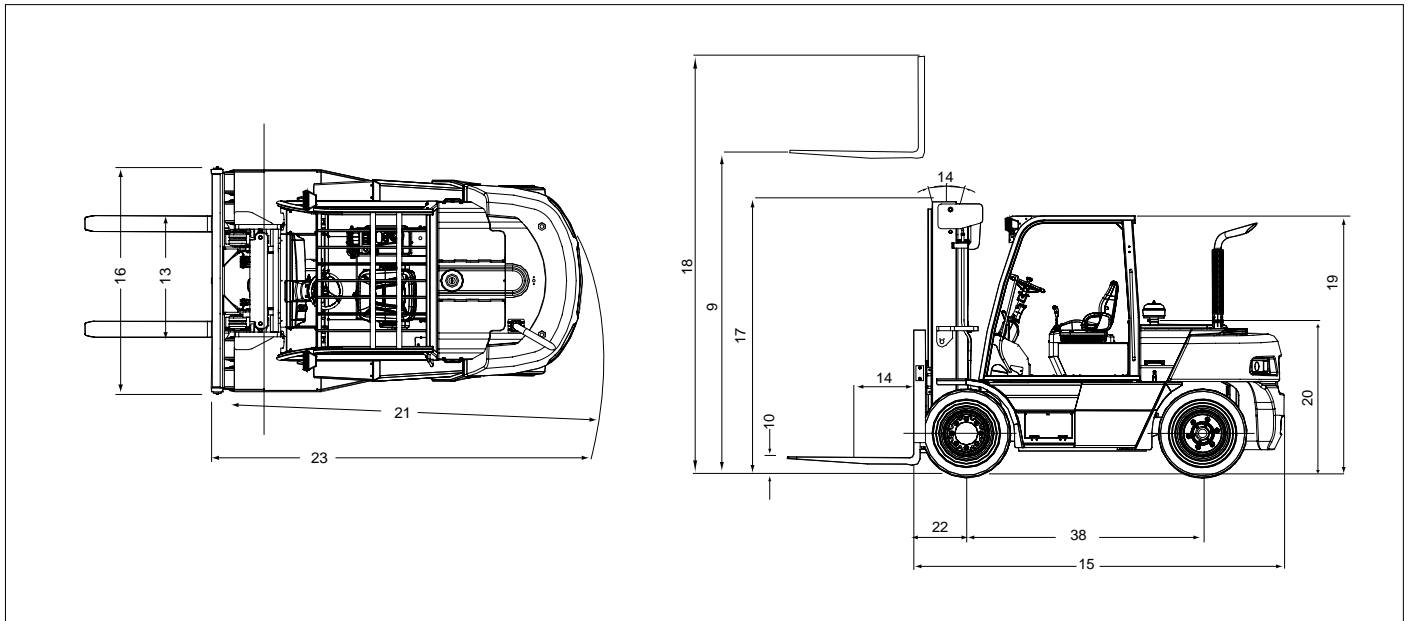
Note: Specification values quoted in this specification sheet has been rounded. Performance may vary due to operation conditions.  
Products and specifications are subject to improvement and change without prior notices.

# 5,000/6,000/7,000kg Capacities

## Engine Powered Forklift Trucks Pneumatic Tire

DOOSAN	DOOSAN	DOOSAN	DOOSAN	DOOSAN	DOOSAN
D50S-5	D60S-5	D70S-5	G50S-5	G60S-5	G70S-5
5,000	6,000	7,000	5,000	6,000	7,000
600	600	600	600	600	600
Diesel	Diesel	Diesel	LPG	LPG	LPG
Driver-seated	Driver-seated	Driver-seated	Driver-seated	Driver-seated	Driver-seated
p	p	p	p	p	p
x 4 / 2	x 4 / 2	x 4 / 2	x 4 / 2	x 4 / 2	x 4 / 2
3,000	3,000	3,000	3,000	3,000	3,000
205	205	205	205	205	205
IV	IV	IV	IV	IV	IV
1,200x150x60	1,200x180x60	1,200x180x60	1,200x150x60	1,200x180x60	1,200x180x60
350x2,032	410x2,032	410x2,032	350x2,032	410x2,032	410x2,032
15 / 10	15 / 10	15 / 10	15 / 10	15 / 10	15 / 10
3,507	3,568	3,647	3,507	3,568	3,647
2,108	2,108	2,108	2,108	2,108	2,108
2,500	2,500	2,500	2,500	2,500	2,500
4,340	4,340	4,340	4,340	4,340	4,340
2,455	2,455	2,455	2,455	2,455	2,455
1,333	1,333	1,333	1,333	1,333	1,333
3,301	3,331	3,380	3,301	3,331	3,380
632	632	632	632	632	632
3,924	3,958	4,000	3,924	3,958	4,000
25 / 26.5	24.5 / 26.5	24.0 / 26.5	24.0 / 25.4	23.8 / 25.4	23.6 / 25.4
415 / 445	415 / 445	415 / 445	380 / 410	380 / 410	380 / 410
490 / 460	490 / 460	490 / 460	490 / 460	490 / 460	490 / 460
4,908	4,875	4,875	5,010	4,990	4,965
39.4	34.1	30.3	40.9	35.5	31.3
8,395	9,085	9,810	8,235	8,905	9,635
12,010 / 1,385	13,430 / 1,655	14,820 / 1,990	11,840 / 1,395	13,260 / 1,645	14,650 / 1,985
4,270 / 4,125	4,145 / 4,940	3,985 / 5,830	4,100 / 4,135	3,975 / 4,930	3,815 / 5,820
4 / 2	4 / 2	4 / 2	4 / 2	4 / 2	4 / 2
8.25x15-14PR	8.25x15-14PR	8.25x15-14PR	8.25x15-14PR	8.25x15-14PR	8.25x15-14PR
8.25x15-14PR	8.25x15-14PR	8.25x15-14PR	8.25x15-14PR	8.25x15-14PR	8.25x15-14PR
2,250	2,250	2,250	2,250	2,250	2,250
1,584 / 1,550	1,584 / 1,550	1,584 / 1,550	1,584 / 1,550	1,584 / 1,550	1,584 / 1,550
176	176	176	176	176	176
205	205	205	205	205	205
Foot / Hyd	Foot / Hyd	Foot / Hyd	Foot / Hyd	Foot / Hyd	Foot / Hyd
Hand / Mech	Hand / Mech	Hand / Mech	Hand / Mech	Hand / Mech	Hand / Mech
24 / 75	24 / 75	24 / 75	12 / 75	12 / 75	12 / 75
DB58S	DB58S	DB58S	G643(E)	G643(E)	G643(E)
93 / 2,400	93 / 2,400	93 / 2,400	93 / 2,450	93 / 2,450	93 / 2,450
69 / 2,400	69 / 2,400	69 / 2,400	69 / 2,450	69 / 2,450	69 / 2,450
33 / 1,600	33 / 1,600	33 / 1,600	31 / 1,400	31 / 1,400	31 / 1,400
6 / 5,785	6 / 5,785	6 / 5,785	6 / 4,294	6 / 4,294	6 / 4,294
Power Shift	Power Shift	Power Shift	Power Shift	Power Shift	Power Shift
2 / 2	2 / 2	2 / 2	2 / 2	2 / 2	2 / 2
210	210	210	210	210	210
140	140	140	140	140	140

# DIMENSIONAL DRAWING



## MAST SPECIFICATIONS and RATED CAPACITIES

### D/G50S-5(Shaft)

Mast type	Maximum Fork Height	Maximum Lowered Height	Fully Extended Height	Free Lift	Rated Load Capacities		
			With Load Backrest	With Load Backrest	D/G50S-5(Shaft)		
					Tilt Angle		Load Capacities
					Double Pneumatic		Double Pneumatic
					FWD	BWD	LC 600mm
	mm	mm	mm	mm	deg	deg	kg
STD	3000	2495	4275	205	15	10	5000
	3500	2745	4775	205	15	10	5000
	3700	2845	4975	205	15	10	5000
	4000	2995	5275	205	15	10	5000
	4500	3345	5775	205	15	10	5000
	5000	3595	6275	205	15	10	5000
	5500	3845	6775	205	15	10	4900
	6000	4095	7275	205	15	10	4725
FFT	4550	2540	5570	1580	15	10	4900
	5000	2690	6020	1730	15	10	4750
	5600	2890	6620	1930	15	10	4550
	6050	3040	7070	2080	15	10	4400

**D/G60S-5(Shaft)**

Mast type	Maximum Fork Height	Maximum Lowered Height	Fully Extended Height	Free Lift	Rated Load Capacities		
					D/G60S-5(Shaft)		
			With Load Backrest	With Load Backrest	Tilt Angle		Load Capacities
					Double Pneumatic		Double Pneumatic
FWD	BWD	LC 600mm					
	mm	mm	mm	mm	deg	deg	kg
STD	3000	2495	4275	205	15	10	6000
	3500	2745	4775	205	15	10	6000
	3700	2845	4975	205	15	10	6000
	4000	2995	5275	205	15	10	6000
	4500	3345	5775	205	15	10	6000
	5000	3595	6275	205	15	10	6000
	5500	3845	6775	205	15	10	5875
	6000	4095	7275	205	15	10	5675
FFT	4550	2540	5570	1580	15	10	5900
	5000	2690	6020	1730	15	10	5725
	5600	2890	6620	1930	15	10	5500
	6050	3040	7070	2080	15	10	5300

**D/G70S-5(Shaft)**

Mast type	Maximum Fork Height	Maximum Lowered Height	Fully Extended Height	Free Lift	Rated Load Capacities		
					D/G70S-5(Shaft)		
			With Load Backrest	With Load Backrest	Tilt Angle		Load Capacities
					Double Pneumatic		Double Pneumatic
FWD	BWD	LC 600mm					
	mm	mm	mm	mm	deg	deg	kg
STD	3000	2495	4275	205	15	10	7000
	3500	2745	4775	205	15	10	7000
	3700	2845	4975	205	15	10	7000
	4000	2995	5275	205	15	10	7000
	4500	3345	5775	205	15	10	7000
	5000	3595	6275	205	15	10	7000
	5500	3845	6775	205	15	10	7000
	6000	4095	7275	205	15	10	6900
	3000	2495	4275	205	15	10	7000
	3500	2745	4775	205	15	10	7000
	3700	2845	4975	205	15	10	7000
	4000	2995	5275	205	15	10	7000
	4500	3345	5775	205	15	10	7000
	5000	3595	6275	205	15	10	7000
	5500	3845	6775	205	15	10	7000
	6000	4095	7275	205	15	10	6900
FFT	4550	2540	5570	1580	15	10	7000
	5000	2690	6020	1730	15	10	7000
	5600	2890	6620	1930	15	10	6725
	6050	3040	7070	2080	15	10	6500



# PRO5

SERIES



**G50S / G60S / G70S-5**  
5,000kg 6,000kg 7,000kg  
Pneumatic Tire



**D50S / D60S / D70S-5**  
5,000kg 6,000kg 7,000kg  
Pneumatic Tire

PSC0703B1 (Mar.2007)



## Doosan Infracore Forklifts

**Head Office** : 7-11, Hwasu-Dong, Dong-Gu, Incheon, Korea.  
Tel : 82-32-211-5011 Fax : 82-32-211-5412  
**Seoul Office** : 22nd floor, Doosan Tower Bldg, Euljiro 6-Ga  
Jung-Gu, Seoul, Korea.  
Tel : 82-2-3398-8633 Fax : 82-2-3398-8619  
**Web site** : <http://iv.doosaninfracore.co.kr/eng>

AUTHORIZED DEALER

Product and specifications are subject to improvement and change without notice.